

PRODUCT DESCRIPTION

SPECTEC's Non-Incendive / Increased Safety preamplifier for passive magnetic VRS sensors is designed for installation in hazardous locations. The 'ELBY' housing type will fit in ELBY50 and ELBY75 explosion proof junction boxes. The 'A' housing type will fit in a GAUL-16 or similar standard explosion proof junction box.

INSTALLATION

CAUTION: This sensor MUST be installed following the details specified in the Installation Instruction Document #85049N.

SPECIFICATIONS

- Supply Voltage & Current:** 7.5-30Vdc @ ≤ 3mA for 0-5Vo
 13-30Vdc @ ≤ 12mA for 0-12Vo
 3.6-30Vdc @ ≤ 20mA for 0-Vs
- Output Voltage:** See below (R Load >20kΩ)
- Frequency Range:** ~5 Hz to 10 kHz
 Up to 40 kHz with increased signal
- Input Sensitivity:** See below
- Construction:** Plastic housing
 Solid Epoxy Encapsulation

TERMINAL CONNECTIONS

- | | |
|--------------------|-----------------|
| 1 - Supply Voltage | 4 - Mag Sensor |
| 2 - Common | 5 - Mag Sensor |
| 3 - Output Signal | (see N40 & N41) |

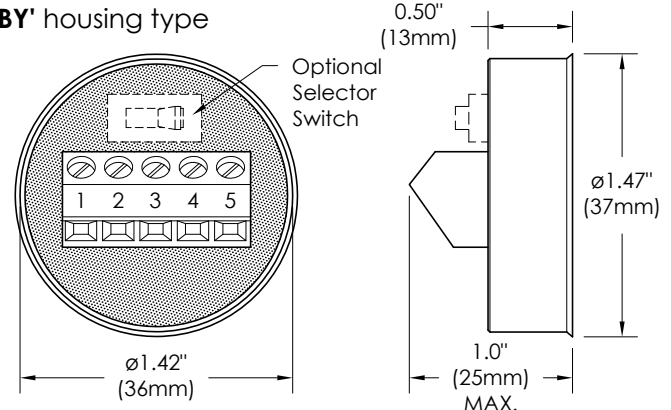
FEATURE SELECTION

N4022 -	<input type="checkbox"/>	<input type="checkbox"/>	Mag Preamplifier
Output Signal	1 -	0-5V, NPN	
	2 -	0-10V, NPN	
	3 -	0-Vs, NPN	
	4 -	0-Vs, NPN, OC	
	5 -	Selectable: 0-5V, NPN	
		0-10V, NPN	
		0-Vs, NPN, OC	
	6 -	0-Vs, PNP, OC	
Input Sensitivity	0 -	30 mVpp (Standard)	
	1 -	12 mVpp (High)	

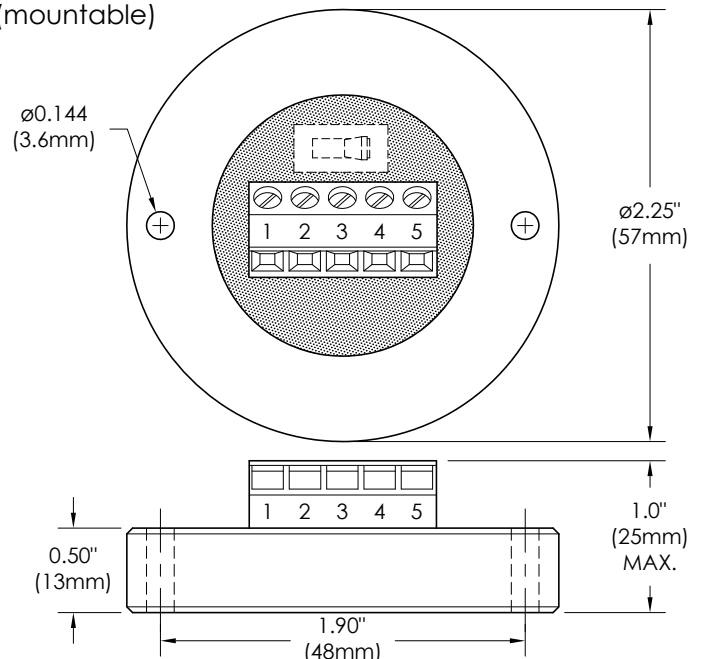
For 'A' housing type add 'A' as a prefix to the P/N suffix:
 (e.g. N4022-Axx)

For explosion proof junction box refer to bulletin 4001

'ELBY' housing type



'A' housing type (mountable)



CERTIFICATIONS for N4022

- ATEX:** II 3 G Ex ec IIC T6...T4 Gc
 FM08ATEX0069X
- IECEx:** Ex ec IIC T6...T4 Gc
 IECEx FMG 16.0003X
 T4 @ -40°C ≤ T_{amb} ≤ +85°C
 T5 @ -40°C ≤ T_{amb} ≤ +80°C
 T6 @ -40°C ≤ T_{amb} ≤ +60°C
- USA:** Class I, II, III, Division 2
 GROUP ABCDEFG T6...T4
 Class I, Zone 0, AEx nC IIC T6...T4
- Canada:** Class I, Division 2
 GROUP ABCD T6...T4
 Class I, Zone 0, Ex nL IIC T6...T4
 T4 @ -40°C ≤ T_{amb} ≤ +85°C
 T5 @ -40°C ≤ T_{amb} ≤ +80°C
 T6 @ -40°C ≤ T_{amb} ≤ +60°C
- CE:** Compliance with
 EN50081-1, EN50082-1