

PRODUCT DESCRIPTION

The 0190 Gear Actuated Directional Zero Speed Sensor provides a square wave quadrature signal at Frequency A and Frequency B outputs and contains internal decoding logic to determine Clockwise/Counterclockwise direction. The direction information is available as a logic level at the direction output. Operation is consistent down to zero speed. All outputs are available with 5V TTL compatible and Open Collector options.

SPECIFICATIONS

Vs, Supply Voltage: Standard: 5-30 Vdc @ ≤ 15 mA

Vo, Output/Logic: 0-Vs NPN
 0-Vs NPN, OC
 0-5V TTL
 25mA max current sinking.

Frequency Range: 0 to ~ 20 kHz depending on Target size and distance

Air Gap: 5 DP: ≤ .160" (4mm)
 48 DP: ≤ .025" (2mm)
 Low Mag ~ 50% less

Rise/Fall Time: Std: 0.04 μs/0.18 μs (Nom.)

Direction: Logic 1: 5V max. Forward target gear rotates toward alignment mark.
 Logic 0: .06V max. Reverse

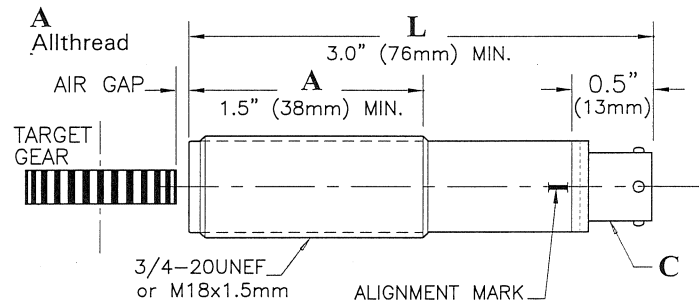
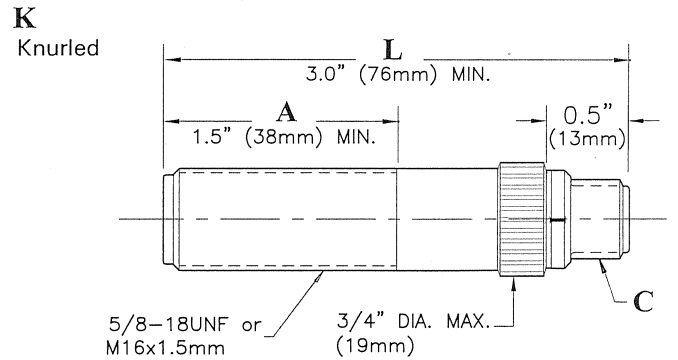
Temperature Range: -40° to 255° F (-40° to 125° C)

Construction: 300 Series Stainless Steel, solid epoxy encapsulation

CE Compliance: EN55011, EN50022-2

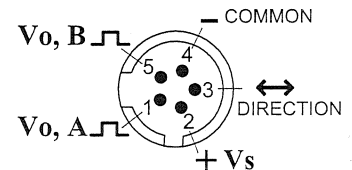
Contact Sales for information on available options.

For Intrinsicly Safe and Non-Incendive versions, refer to bulletins IS100 and N100 respectively.

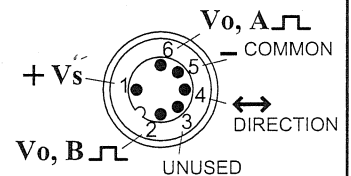


C: Connector Options:

MC5:
 Mates with:
 Micro Change 5 Pole
 P/N: 3004-xx5x



MD6:
 Mates with:
 Micro Din 6 Pole
 P/N: 3005-xx5x



B6: (Bayonet)
 Mates with:
 Bendix PT06W-10-6S
 or Souriau 851-06J10-6550
 or MS3116 type

