

PRODUCT DESCRIPTION

SPECTEC's DIGISPEC Magnetic pickups produce a digital frequency output proportional to speed. The internal amplifier provides for constant pulse shaping, signal amplitude, logic-level output, robust signal-to-noise ratio, usable at lower RPMs and greater air gap between the sensor and the actuator. All models are also available with an internal temperature probe.

For intrinsically safe versions refer to bulletins: IS90 & IS91.

SPECIFICATIONS

- Vs, Supply Voltage:** 7.5 to 30 VDC regulated
 12 to 30 VDC for 0-10V, NPN output
- Is, Supply Current:** ≤ 20 mA @ 30 VDC (Max.)
- Vo, Signal Out:** @ ≤ 20 mA sink, See page 2
- Input Sensitivity:** 30, 12, or 5 mVpp
- Operating Freq.:** ~ 3 to 10 kHz
 ~ 30 kHz at increased signal level, varies with target size, distance and pickup sensitivity. (Options: ≤ 100 kHz)
- Rise/Fall Time:** 0.04 μs / 0.16 μs
- Temperature Range:**
 2TE: -40° to 248°F (-40° to 120°C)
 3TE: -49° to 284°F (-45° to 140°C)
- Magnetization:** Standard: ≥ 900 Gauss, TYP.
 Low Mag: 250 Gauss, TYP. See Pg. 2 Note
- Pole Piece:** Flush (FP), Sealed Flush, (FPS), Extended (EP), Sealed Extended (EPS)

Gear Pitch	Pole Type
≤24 DP (MODULE 1.06)	FP130, FPS130 EP106, EP125, EPS130

- Connectors:** See Page 2 for Configurations
 All have Gold Plated Contacts
- Lead Wire & Assignments:** See Page 2 for Wire & Cable Options
 2TE: PVC, 20-24 AWG
 3TE: TFE, 20-24 AWG
 Red: Supply (+)
 Black: Common (-)
 White/Green: Signal Out
 Bare: Shield

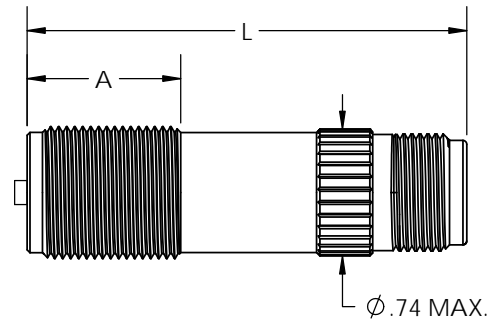
Construction: 300 Series stainless steel housing
 Solid epoxy encapsulation

CE-Compliance: EN55011, EN50022-2

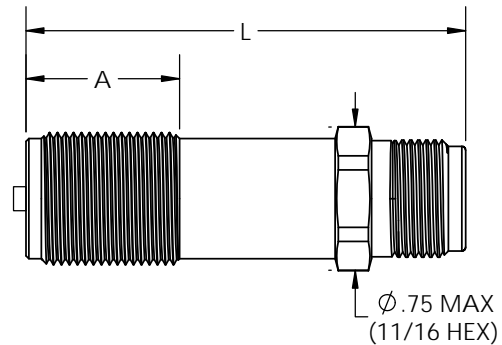
OPTIONS

Custom configurations, thread sizes, outputs, special materials of construction, temperature probes (NTC10, RTD100, or others) are available. Please contact sales for more information.

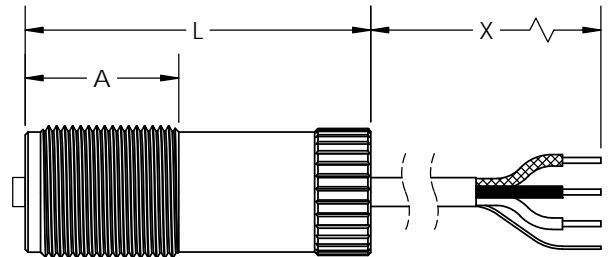
0092 11/16-24 UNEF



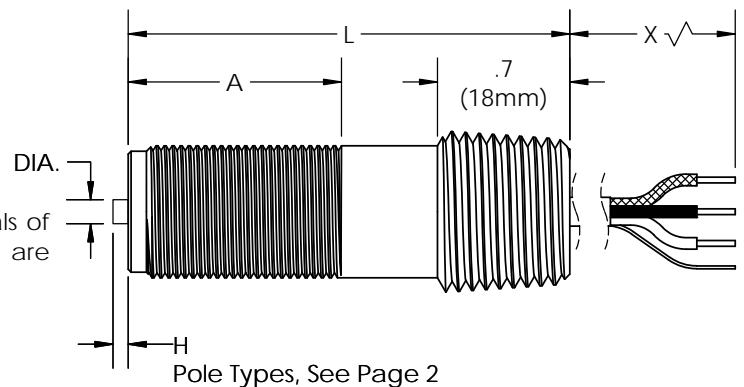
0092H 11/16-24 UNEF



0093 11/16-24 UNEF



0093X 11/16-24 UNEF with 1/2-14 NPT Male



ORDER INFORMATION

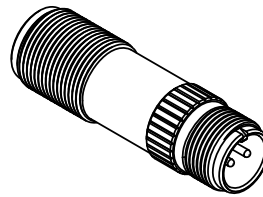
STYLE:	OPTIONS:	THREADS/DIA.:
0092	- <input type="checkbox"/> <input type="checkbox"/> <input type="checkbox"/> <input type="checkbox"/> <input type="checkbox"/>	11/16-24 UNEF
0092H	- <input type="checkbox"/> <input type="checkbox"/> <input type="checkbox"/> <input type="checkbox"/> <input type="checkbox"/>	11/16-24 UNEF
Thread (A) & Housing (L) Length:		A L
		2 - 1.1" (28mm) 2.75" (70mm)
		4 - 1.3" (33mm) 3.5" (89mm)

Pole Type (Ø, H):	1 - FP130 Flush Pole, Ø.130
	2 - EP125 Extended Pole, Ø.125" x .065" H
	3 - EP106 Extended Pole, Ø.106" x .020" H
	5 - FPS130 Flush Pole, Ø.130 in Sealed S.S. Face
	6 - EPS125 Extended Pole, Ø.125" x .065" H in Sealed S.S. Face

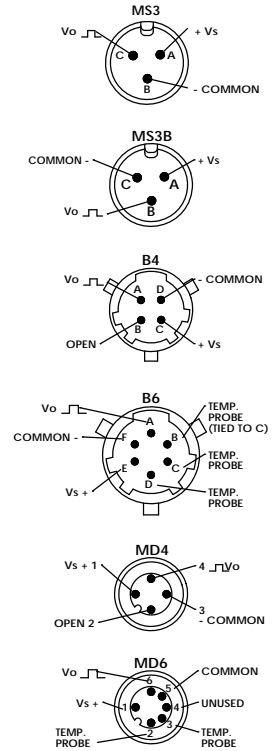
Vo, Pulse Out/ Output Logic:	1 - 0 - 10V, NPN
	2 - 0 - 5V, NPN [TTL]
	3 - 0 - Vs, NPN
	4 - 0 - Vs, NPN (OC), Open collector
	5 - 0 - Vs, NPN/PNP Universal Sink/Source

Input Sensitivity and Temp.:	1 - 30 mV (2TE, 120°C)
	2 - 12 mV (2TE, 120°C)
	3 - 5 mV (2TE, 120°C)
	5 - 30 mV (3TE, 140°C) High Temp
	6 - 12 mV (3TE, 140°C) High Temp
	7 - 5 mV (3TE, 140°C) High Temp

Connector:	1 - MS3: 3 Pin MS3106-10SL-3P (See Bulletin 3000)
	3 - MS3B: 3 Pin MS3102-10SL-3P (See Bulletin 3000)
	4 - B4: 4 Pin Bayonet, MS3113-H8A-4P (See Bulletin 3001)
	5 - B6: 6 Pin Bayonet, MS3111-H10A-6P (See Bulletin 3001)
	7 - MD4: 4 Pin Micro DIN (See Bulletin 3005)
	8 - MD6: 6 Pin Micro DIN (See Bulletin 3005)



Connector Pinouts

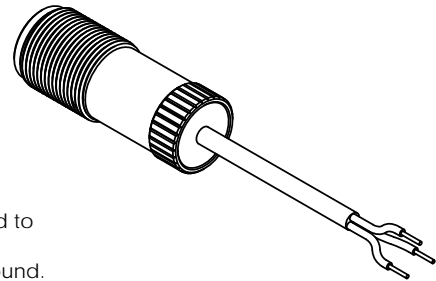


0093	- <input type="checkbox"/> <input type="checkbox"/> <input type="checkbox"/> <input type="checkbox"/> <input type="checkbox"/>	11/16-24 UNEF
Thread (A) & Housing (L) Length:		A L
		1 - 1.10" (28mm) 2.25" (57mm)
		2 - 1.30" (33mm) 3.0" (76mm)

SAME AS ABOVE

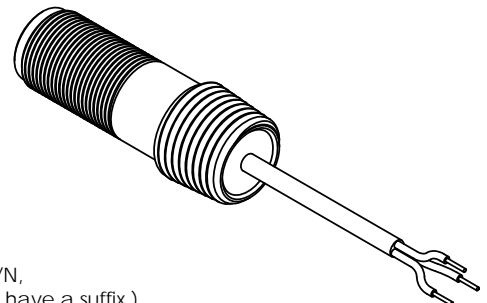
Lead Wire(X):	1 - 1' (.3m) Single Leads
	2 - 2' (.6m) Single Leads
	7 - 3' (1m) Shielded Cable
	9 - 10' (3m) Shielded Cable

Note: Cable Shielding is not connected to sensor, and is intended to be connected to the instrument ground.



0093X	- <input type="checkbox"/> <input type="checkbox"/> <input type="checkbox"/> <input type="checkbox"/> <input type="checkbox"/>	11/16-24 UNEF with 1/2-14 NPT Female
Thread (A) & Housing (L) Length:		A L
		1 - .70" (18mm) 1.9" (48mm)
		2 - 1.3" (33mm) 2.6" (66mm)

SAME AS ABOVE



Notes: 1. The magnetization level for special or low mag. sensors, is designated as a suffix to the P/N, i.e.:0093 -xxxx-**300G**, designating a gauss level of 300(±50). (Standard mag. level will not have a suffix.)