

SPECTEC

THUNDERBIRD INTERNATIONAL CORPORATION
P.O. Box 360, Emigrant, MT 59027 USA
(406) 333-4967 FAX: (406) 333-4259
www.spectecensors.com

0061 • 0062
RF PICKUP TO 400°C
WITH OPTIONAL TEMPERATURE PROBE
3/4, M18

PRODUCT DESCRIPTION

SPECTEC's RF pickups are active sensors driven by an external RF "carrier" signal conditioner. Together they complete an oscillating circuit. The output of this circuit is amplitude modulated when a ferrous object passes by the pickup coil. This change in modulation of the carrier frequency is then converted into a square wave pulse by the signal conditioner.

RF4 pickups are designed to work with the applicable SPECTEC, Cox F&P, and other carrier signal conditioners.

RF10 pickups work with the applicable SPECTEC, FTI, Hoffer, Sponsler, and other carrier signal conditioners.

An optional internal temperature probe is positioned near the face of the sensor.

For intrinsically safe versions refer to bulletins: IS70/71 & IS100/101

SPECIFICATIONS

DC-Coil Resistance/ Inductance: RF4: 4Ω .36mH
RF10: 12Ω 1.00mH

Operating Freq.: ≥ 0.5 to ≤ 6000 Hz*

Air Gap: Open Face: ≤ .160"* (Sealed epoxy surface, high sensitivity)
Closed Face: ≤ .130"* (Sealed stainless steel membrane, for harsh environments)
*Depending on target mass and type of signal conditioner (8HT: 20% loss)

Temperature Range: 3T: -150° to 330°F (-100° to 165°C)
3T w/NTC: -112° to 300°F (-80° to +150°C)
4HT: -250° to 400°F (-157° to 204°C)
5HT: -450° to 450°F (-270° to 232°C)
8HT: -450° to 750°F (-270° to 400°C)

Oscillation Voltage: 3-9 Vpp when connected to a 4013/4014 HS type signal conditioner

Construction: 300 Series stainless steel housing
Solid Epoxy or Ceramic (8HT) encapsulation
TFE or Mica (8HT) insulated wires or cable
See Pg. 2

Connectors & Pin Assignments: See Page 2
All have gold plated contacts

CE-Compliance: EN55011, EN50082-2

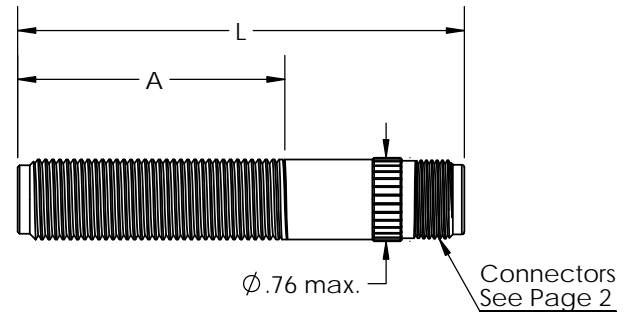
OPTIONS

Custom configurations/enclosures, thread sizes, special materials, or temperature probes. Please contact sales.

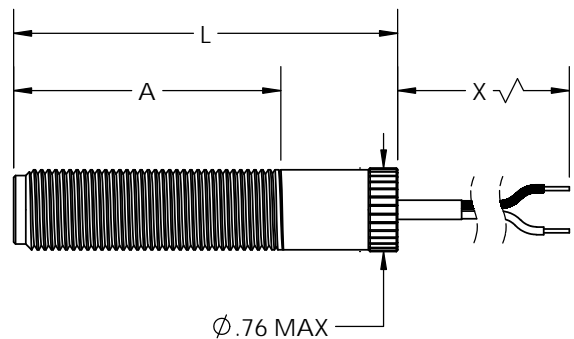
SIGNAL CONDITIONERS

For matching signal conditioners, please refer to SPECTEC's 4010, 4013 & 4014 series.

0061 3/4-16 UNF
0061B 3/4-20 UNEF
0061M M18x1.5
0061M1 M18x1.0

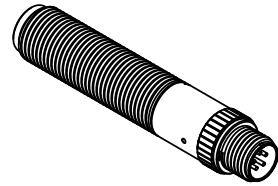


0062 3/4-16 UNF
0062B 3/4-20 UNEF
0062M M18x1.5
0062M1 M18x1.0



ORDER INFORMATION

STYLE:	OPTIONS:	THREADS/DIA.:
0061	- <input type="checkbox"/> <input type="checkbox"/> <input type="checkbox"/> <input type="checkbox"/> <input type="checkbox"/>	3/4 - 16 UNF with CONNECTOR
0061B	- <input type="checkbox"/> <input type="checkbox"/> <input type="checkbox"/> <input type="checkbox"/> <input type="checkbox"/>	3/4 - 20 UNEF with CONNECTOR
0061M	- <input type="checkbox"/> <input type="checkbox"/> <input type="checkbox"/> <input type="checkbox"/> <input type="checkbox"/>	M18x1.5
0061M1	- <input type="checkbox"/> <input type="checkbox"/> <input type="checkbox"/> <input type="checkbox"/> <input type="checkbox"/>	M18x1



Thread Length(A) & Body Length (L):
 1 - (A) 0.89" [23MM], (L) 2.25" [57MM]
 2 - (A) 1.5" [38MM], (L) 2.5" [63MM]

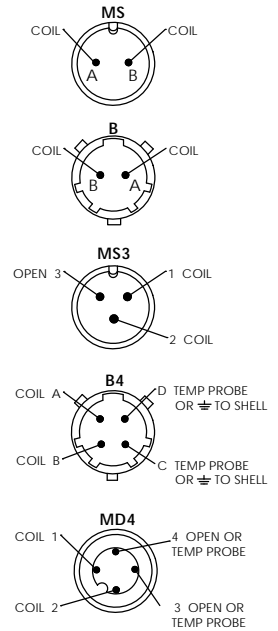
Face:
 1 - Epoxy sealed face (for greater sensitivity)
 2 - Stainless steel face (for harsh environments)

Connector:
 1 - MS: 2 Pin MS3102-10SL-4P (See Bulletin 3000)
 2 - B: 2 Pin MS3113-H8A2P BAYONET (See Bulletin 3001)
 3 - MS3: 3 Pin MS3102-10SL-3P (See Bulletin 3000)
 4 - B4: 4 Pin MS3113-H8A4P BAYONET (See Bulletin 3001)
 6 - MD4: 4 Pin MICRO DIN M12 (See Bulletin 3005)

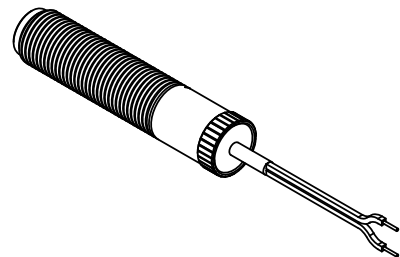
Temperature Range:
 3 - 3T: -150° to +330°F (-101° to +165°C)
 C - 3T with NTC: -112° to 300°F (-80° to 150°C) - NTC10k Ohm ±1%
 4 - 4HT: -250° to 400°F (-157° to +204°C)
 5 - 5HT: -450° to +450°F (-268° to +232°C)
 8 - 8HT: -450° to 752°F (-270° to +400°C)

RF Type:
 1 - RF4: 4.0 Ohm
 3 - RF10: 12.0 Ohm

CONNECTOR PINOUTS



0062	- <input type="checkbox"/> <input type="checkbox"/> <input type="checkbox"/> <input type="checkbox"/> <input type="checkbox"/>	3/4 - 16 UNF with LEAD WIRE
0062B	- <input type="checkbox"/> <input type="checkbox"/> <input type="checkbox"/> <input type="checkbox"/> <input type="checkbox"/>	3/4 - 20 UNEF with LEAD WIRE
0062M	- <input type="checkbox"/> <input type="checkbox"/> <input type="checkbox"/> <input type="checkbox"/> <input type="checkbox"/>	M18x1.5
0062M1	- <input type="checkbox"/> <input type="checkbox"/> <input type="checkbox"/> <input type="checkbox"/> <input type="checkbox"/>	M18x1



Thread Length(A) & Body Length (L):
 1 - (A) 0.89" [23MM], (L) 1.75" [44MM]
 2 - (A) 1.5" [38MM], (L) 2.0" [51MM]

SAME AS ABOVE

Lead Wire(X):
 1 - 1' (.3m) Single Leads
 3 - 3' (1m) Single leads
 7 - 3' (1m) Shielded Cable
 9 - 10' (3m) Shielded Cable

SAME AS ABOVE

Note: For Shielded Cable, shield is not connected to sensor shell, and is intended to be connected to the instrument panel ground.