

## PRODUCT DESCRIPTION

SPECTEC's RF pickups are active sensors driven by an external RF "carrier" signal conditioner. Together they complete an oscillating circuit. The output of this circuit is amplitude modulated when a ferrous object passes by the pickup coil. This change in modulation of the carrier frequency is then converted into a square wave pulse by the signal conditioner for computing and/or further processing.

RF4 pickups are designed to work with the applicable SPECTEC, Cox F&P, and other carrier signal conditioners.

RF10 pickups work with the applicable SPECTEC, FTI, Hoffer, Sponsler, and other carrier signal conditioners.

An internal temperature probe is available, which is positioned near the face of the sensor. (NTC10, RTD100, or others)

For intrinsically safe versions refer to bulletins: IS70/71 & IS100/101.

## SPECIFICATIONS

DC-Coil Resistance/ Inductance: RF4: 4Ω .36mH  
 RF10: 12Ω 1.00mH

Operating Freq.: ≥ 0.5 to ≤ 6000 Hz\*

Air Gap: Open Face: ≤ .160"\* (Sealed epoxy surface, high sensitivity)  
 Closed Face: ≤ .130"\* (Sealed stainless steel membrane, for harsh environments)  
 \*Depending on target mass and type of signal conditioner (8HT: 20% loss)

Temperature Range: 3T: -150° to 330°F (-100° to 165°C)  
 4HT: -250° to 400°F (-157° to 204°C)  
 5HT: -450° to 450°F (-270° to 232°C)  
 8HT: -450° to 752°F (-270° to 400°C)  
 \* Temperature Range may be modified when temperature probe is included (NTC or RTD). See Page 2.

Oscillation Voltage: 3-9 Vpp when connected to a 4013/4014 HS type signal conditioner

Connectors: See Page 2 for Configurations  
 All have Gold Plated Contacts

Lead Wire: See Page 2 for Wire & Cable Options

Construction: 300 Series Stainless Steel  
 Solid Epoxy Encapsulation  
 TFE insulated wires or cables  
 8HT Temperature Range uses Ceramic Encapsulation and Mica insulated Single Wires

CE-Compliance: EN55011, EN50082-2

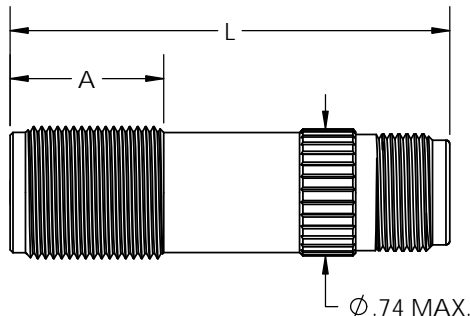
## OPTIONS

Custom configurations/enclosures, thread sizes, special materials, or temperature probes. Please contact sales.

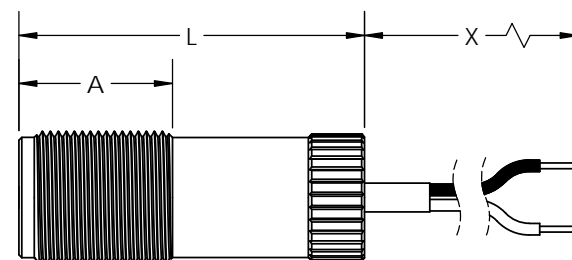
## SIGNAL CONDITIONERS

For matching signal conditioners, please refer to SPECTEC's 4010, 4013 & 4014 series.

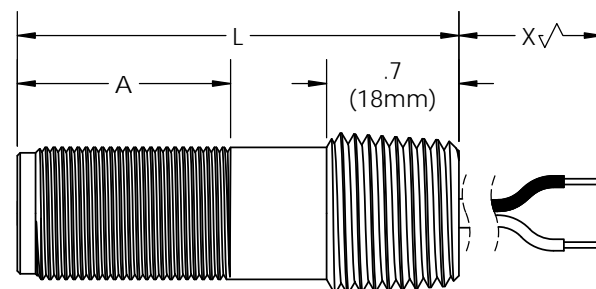
0059 11/16-24 UNEF KNURL STYLE  
 0059H 11/16-24 UNEF HEX STYLE



0060 11/16-24 UNEF KNURL STYLE  
 0060H 11/16-24 UNEF HEX STYLE



0066 11/16-24 UNEF with 1/2-14 NPT Male



0060R 11/16-24 UNEF with right angle leads

