

PRODUCT DESCRIPTION

SPECTEC's unique dual output magnetic pickups are part of a modular family of high performance, passive, variable reluctance sensors (VRS). The dual output is designed for pulse security applications where a redundant high reliability output is a must. It may be used in place of two separate sensors, providing component and installation savings. An integral temperature sensor is available as an option.

SPECIFICATIONS

DC-Coil Resistance/Inductance, Output Voltage:

Type 2: 210/ 260Ω 150 mH, 60 Vpp
 Type 4: 600/ 900Ω 300 mH, 100 Vpp
 Type 5: 900/1350Ω 500 mH, 150 Vpp
 (When tested at 1000 IPS against 20 pitch, 30 tooth gear at .005" gap, 100k Ohm load. Inductance and output voltage notations are maximum values.)

Magnetization: Standard: 1100 GAUSS, TYP.
 Low Mag: 250 GAUSS, TYP.

Temperature Range: 2T: -100° to 260° F (- 73° to 125° C)
 3T: -150° to 330° F (-101° to 165° C)
 5HT: -450° to 450° F (-268° to 232° C)

With temperature probe:
 RTD 100 Ohm platinum probe:
 -330° to 450° F (-201° to 232° C)
 NTC 10 kOhm thermistor:
 -40° to 260° F (- 40° to 125° C)

Pole Piece: Flush(FP), Extended(EP) & Chisel Points (CP) are available. (Chisel must be oriented parallel with gear tooth.)

To optimize performance please note gear pitch/pole piece recommendations:

GEAR PITCH	POLE PIECE
≤ 36 DP (Module 0.7)	EP62, CP10
≤ 26 DP (Module 0.98)	EP93
≤ 24 DP (Module 1.06)	FP, EP106 EP125, CP45
≤ 12 DP (Module 2.11)	EP188
≤ 5 DP (Module 5.1)	EP250

Construction: 300 Series S.S., Solid Epoxy Encapsulation.

Connector: See Page 2 for options. All standard connectors have gold plated pins.

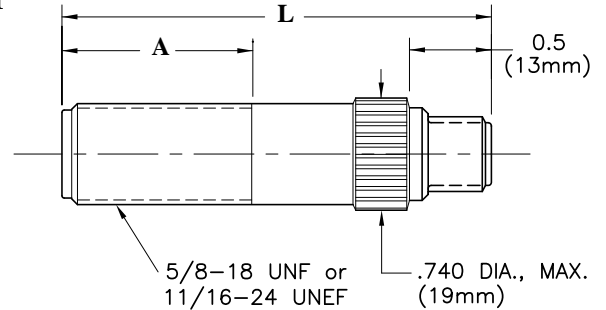
CE-Compliance: EN55011, EN50022-2

OPTIONS:

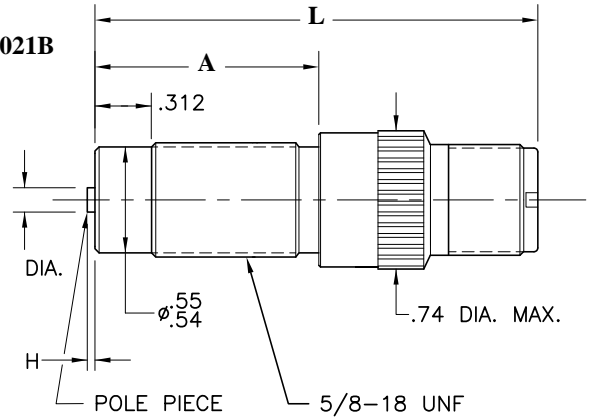
For different length, material of construction, configuration, special pole-piece types, thread size, hermetically sealed, precision custom magnetization, connector and/or cable termination, please contact factory.

For lead wire type, refer to: 0022.

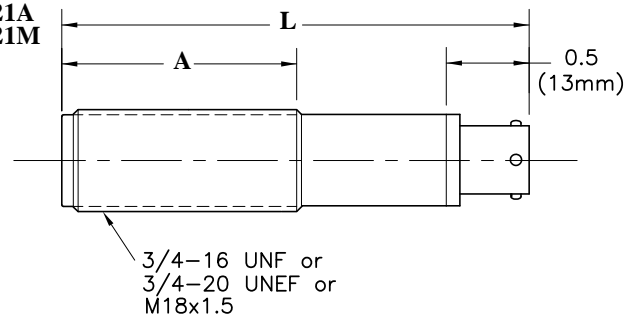
0021



0021B



0021A
0021M



Dual Coil Magnetic VRS Speed Sensor, P/N Selection Chart:

SPECTEC P/N	Thread	Thread Length	Overall Length with connector	Coil Type	Pole Piece	Temp. Rating	Connector
0021-xx	5/8-18	0.7 - 8.0 (18 - 200mm)	1.5 - 9.1 (38 - 230mm)	Type 2 210/260Ω	FP (.130 DIA.) EP62 (.062 DIA. x .03 H) EP93 (.093 DIA. x .03 H) EP106 (.106 DIA. x .02 H) EP125 (.125 DIA. x .07 H) EP187 (.187 DIA. x .02 H) EP250 (.250 DIA. x .02 H)	2T 3T 5HT RTD 100 NTC 10	
	11/16-24	0.7 - 1.5 (18 - 38mm)	1.5 - 3.0 (38 - 76mm)	Power Output	Type 4 600/900Ω Std. Output		
0021A-xx	3/4-16	0.7 - 4.0 (18 - 100mm)	1.5 - 5.0 (38 - 127mm)	Type 4 600/900Ω Std. Output	CP10 CHISEL (.010 W) CP45 CHISEL (.045 W)		
	3/4-20	0.7 - 4.0 (18 - 100mm)	1.5 - 5.0 (38 - 127mm)	Type 5 900/1300Ω High Output			
0021M-xx	M18x1.5	0.7 - 4.0 (18 - 100mm)	1.5 - 5.0 (38 - 127mm)	Type 5 900/1300Ω High Output			

When ordering, please specify features selected from the above table.

Specific Models:

0021-01	5/8-18	1.2 (30mm)	2.5 (64mm)	Type 4	FP (Blindshell)	3T	MS3
0021-02	5/8-18	1.2 (30mm)	2.0 (50mm)		EP93	5HT	B4
0021-04	5/8-18	3.0 (76mm)	4.1 (104mm)			3T	
0021-05	5/8-18	4.0 (102mm)	5.1 (130mm)				
0021-06	5/8-18	5.0 (127mm)	6.1 (155mm)				
0021B-01	5/8-18	1.4 (36mm)	2.5 (64mm)	Type 2	EP188		

NOTE: THE MANGNETIZATION LEVEL FOR SPECIAL OR LOW MAGNETIC DRAG SENSORS, IS CALLED OUT AS A SUFFIX TO THE PART NUMBER, ie: 0021-xx-300G DESIGNATING A GAUS LEVEL OF 300. (STANDARD MAGNETIC LEVEL (UP TO 1200G) WILL NOT HAVE A SUFFIX.)