

PRODUCT DESCRIPTION

SPECTEC's 11/16" magnetic pickups are part of a family of rugged, high performance "passive" type speed sensors ranging in size from 3/16" to 3/4" Dia. VRS feature high output voltage and great configuration diversity to meet a wide range of applications. An integrated temperature sensor is available as an option. Sanitary, sealed blind shell construction is also available.

For CL 1, Div I & II hazardous location, Intrinsically Safe, and Non-Incendive versions; please refer to IS40/41 and N40/41.

SPECIFICATIONS

Coil Resistance, Type 4: 1200Ω 700mH 180Vpp
Inductance, & Type 5: 2000Ω 1100mH 230Vpp
Output Voltage: Type 6: 3000Ω 1500mH 290Vpp
 Type 7: 5000Ω 2500mH 330Vpp
 (1000IPS, 20-pitch gear at .005 gap. 100K Ohm load. Inductance and output voltage notations are maximum values.)

Magnetization: Standard: 1000 GAUSS, TYP.
 Low Mag: 250 Gauss, TYP. See Pg. 2 Note

Temperature Range: 2T: -100° to 250°F (-73° to 120°C)
 3T: -150° to 330°F (-101° to 165°C)
 5HT: -450° to 450°F (-268° to 232°C)
 RTD: -330° to 450°F (-200° to 232°C)
 NTC: -112° to 300°F (-80° to 150°C)

Pole Type: Flush (FP), Sealed Flush (FPS),
 Extended (EP), and Sealed Extended (EPS)

Gear Pitch	Pole Type
≤24 DP (MODULE 1.06)	FP130, FPS130, EP125, EPS125

Connectors: See Page 2 for Configurations
 All have Gold Plated Contacts

Lead Wire: See Page 2 for Wire & Cable Options
 2T: PVC, 20-24 AWG
 3T & 5HT: TFE, 20 AWG
 RTD & NTC: TFE, 20 AWG

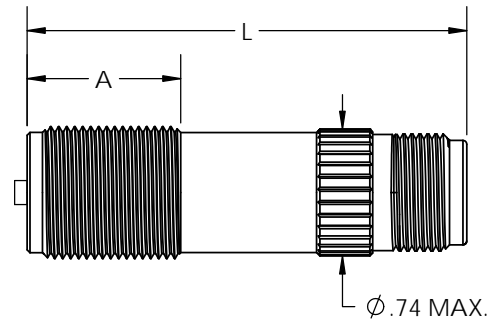
Construction: 300 Series Stainless Steel
 Solid Epoxy Encapsulation

CE Compliance: EN55011, EN50022-2

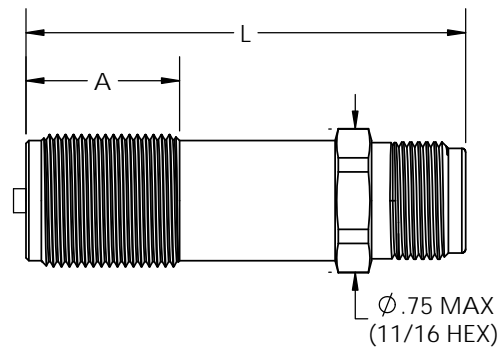
OPTIONS

For different length, material of construction, configuration, special pole-piece types, thread size, hermetically, sealed, termination, please contact factory.

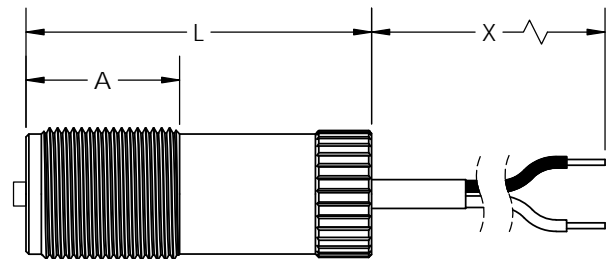
0026 11/16-24 UNEF



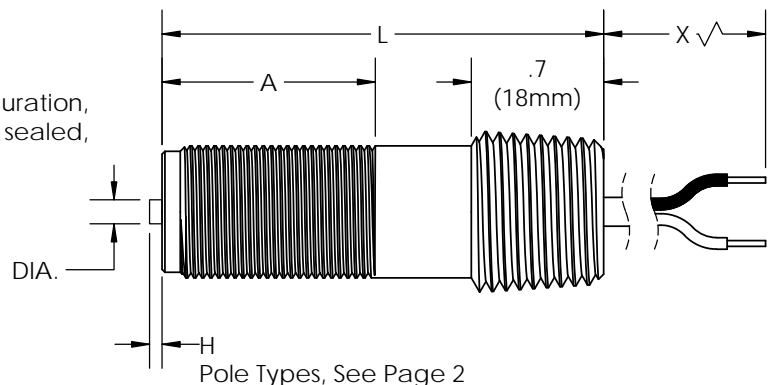
0026H 11/16-24 UNEF



0027 11/16-24 UNEF



0033 11/16-24 UNEF with 1/2-14 NPT Male



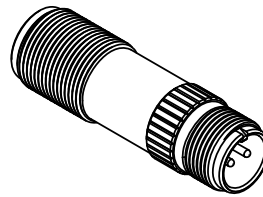
Pole Types, See Page 2

ORDER INFORMATION

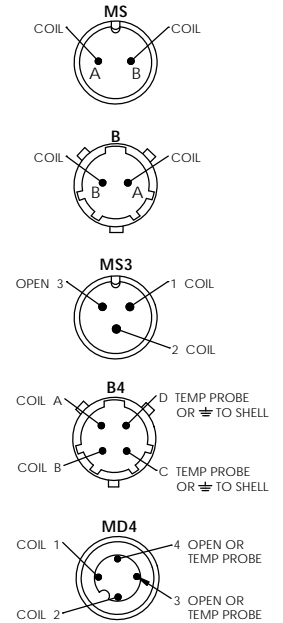
STYLE: OPTIONS: THREADS/DIA.:

0026 - 11/16-24 UNEF

0026H - 11/16-24 UNEF



Connector Pinouts



Thread (A) & Housing (L) Length:

	A	L
1	.80" (20mm)	2.0" (51mm)
2	.80" (20mm)	2.25" (57mm)
3	1.10" (28mm)	2.75" (70mm)
4	1.30" (33mm)	3.5" (89mm)

Pole Type (Ø, H):

- 1 - FP130 Flush Pole, Ø.130
- 2 - EP125 Extended Pole, Ø.125" x .065" H
- 5 - FPS130 Flush Pole, Ø.130 in Sealed S.S. Face
- 6 - EPS125 Extended Pole, Ø.125" x .065" H in Sealed S.S. Face

Connector:

- 1 - MS: 2 Pin MS3102-10SL-4P (See Bulletin 3000)
- 2 - B: 2 Pin MS3113-H8A2P BAYONET (See Bulletin 3001)
- 3 - MS3: 3 Pin MS3102-10SL-3P (See Bulletin 3000)
- 4 - B4: 4 Pin MS3113-H8A4P BAYONET (See Bulletin 3001)
- 6 - MD4: 4 Pin MICRO DIN (See Bulletin 3005)

Temperature Range & Probe:

- 2 - 2T: -100° to +250°F (-73° to +120°C)
- 3 - 3T: -150° to +330°F (-101° to +165°C)
- 5 - 5HT: -450° to +450°F (-268° to +232°C)
- A - RTD: -330° to 450°F (-200° to 232°C) - RTD100 Ohm ±.1%, -100°C to 232°C
- B - NTC: -112° to 300°F (-80° to 150°C) - NTC10 kOhm ±1°C, -40°C to 100°C

Coil Resistance:

- 4 - 1200 Ohms
- 5 - 2000 Ohms
- 6 - 3000 Ohms
- 7 - 5000 Ohms

0027 - 11/16-24 UNEF

Thread (A) & Housing (L) Length:

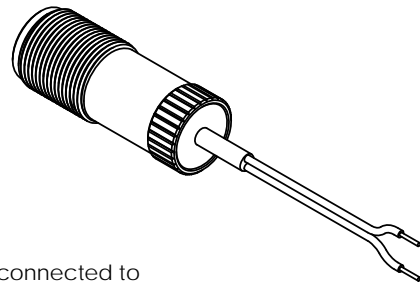
	A	L
1	.80" (20mm)	1.5" (38mm)
2	.80" (20mm)	1.75" (44mm)
3	1.10" (28mm)	2.25" (57mm)
4	1.30" (33mm)	3.0" (76mm)

SAME AS ABOVE

Lead Wire(X):

- 2 - 2' (.6m) Single Leads
 - 7 - 3' (1m) Shielded Cable
 - 9 - 10' (3m) Shielded Cable
- Note: Cable Shielding is not connected to sensor, and is intended to be connected the instrument ground.

SAME AS ABOVE

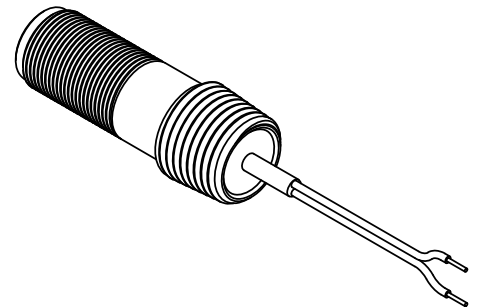


0033 - 11/16-24 UNEF with 1/2-14 NPT Female

Thread (A) & Housing (L) Length:

	A	L
1	.70" (18mm)	1.9" (48mm)
2	1.3" (33mm)	2.6" (66mm)

SAME AS ABOVE



Notes: 1. The magnetization level for special or low mag. sensors, is designated as a suffix to the P/N, i.e.:0026 -xxxx-300G, designating a gauss level of 300(±50). (Standard mag. level will not have a suffix.)